

For Residential and Commercial Applications

Job Name		Engineer / Architect	
Job Location		Wholesaler	
Submittal Date		Contractor	

PLB101X/114X 1/4 Turn Push Connect Angle Stop – Compression Outlet

Use: For use only in potable water distribution systems, hot and cold, in accessible locations only

Part Listing:

- PLB101X B 1/2" nom push connect x 3/8" OD compression, chrome plated, bulk
- PLB101X P 1/2" nom push connect x 3/8" OD compression, chrome plated, bagged
- PLB114X P 1/2" nom push connect x 1/4" OD compression, chrome plated, bagged



MATERIAL SPECIFICATIONS	
Body	<i>Brass, chrome plated</i>
Stem	<i>Brass</i>
Ball	<i>Brass, chrome plated</i>
Gripper Ring	<i>Stainless steel</i>
Push Ring	<i>POM</i>
Seat Ring	<i>POM</i>
Lock Ring	<i>POM</i>
Seats	<i>PTFE</i>
O-Rings	<i>EPDM</i>
Handle	<i>ABS, chrome plated</i>
Screw	<i>Stainless steel</i>
Compression Nut	<i>Brass, chrome plated</i>
Compression Ring	<i>H62</i>
Tube Stiffener	<i>PSU</i>
Adapter	<i>Brass, chrome plated</i>

Operating Specifications	
Temperature	Pressure
Intermittent 40° - 140° F	125 PSI maximum

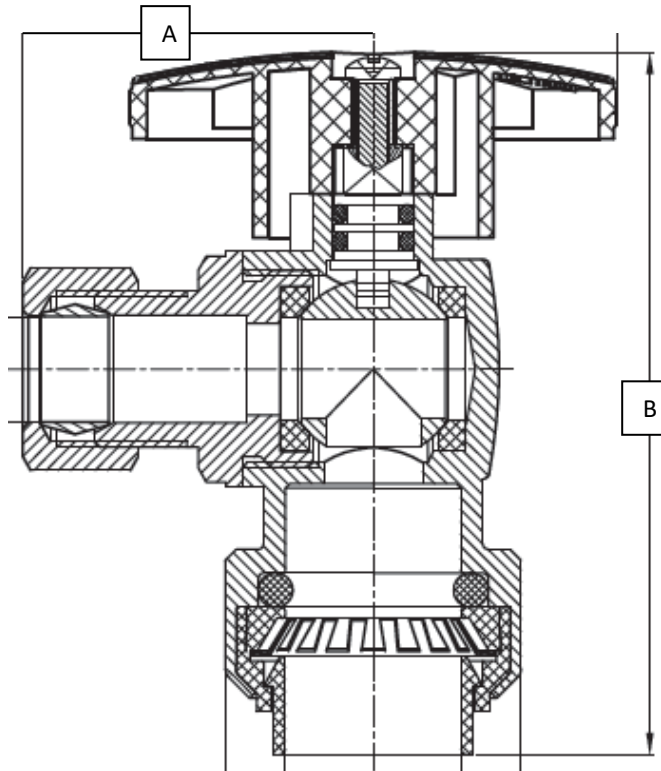
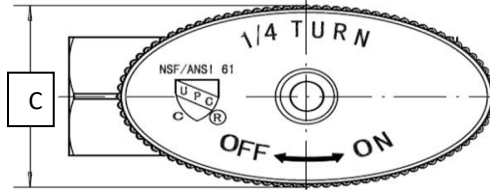
This specification and all information contained herein is the confidential and exclusive property of Brasscraft Manufacturing Company, and shall not be disclosed to others without the written consent of Brasscraft Mfg. Co. This specification must be returned to Brasscraft Mfg. Co. if requested.



PLB101X/114X

1/4 Turn Push Connect Angle Stop – Compression Outlet

PART DIMENSIONS (Inches)			
Model	DIM. A	DIM. B	DIM. C
PLB101X	1.12	2.48	.94
PLB114X	1.12	2.36	.94



Listings & Certifications:

- IAPMO listed to ASME A112.18.1 / CSA B125.1 (File #8425)
- IAPMO listed to NSF / ANSI 372 for No-Lead (File #8427)
- IAPMO listed to NSF61 (File #N-8426)



This specification and all information contained herein is the confidential and exclusive property of Brasscraft Manufacturing Company, and shall not be disclosed to others without the written consent of Brasscraft Mfg. Co. This specification must be returned to Brasscraft Mfg. Co. if requested.

PLUMBSHOP®