

*For Residential and Commercial Applications*

Job Name		Engineer / Architect	
Job Location		Wholesaler	
Submittal Date		Contractor	

## PSPC70 Push Connect Female Elbow

**Use:** For use only in potable water distribution systems, hot and cold applications

**Part Listing:**

- PSPC70-10-8X P      1/2" push connect x 1/2" FIP, bagged
- PSPC70-14-12X P    3/4" push connect x 3/4" FIP, bagged

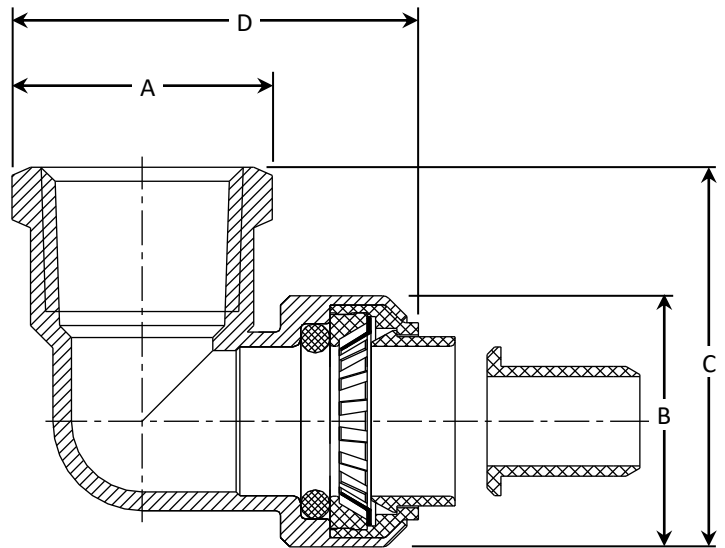
**Design Features:**

- Compatible with copper, PEX, or CPVC
- No soldering, clamps, unions, or glue required
- Removable
- Used in wet or dry installations
- Approved for behind the wall and underground use\*
- 25 year limited warranty

<b>PART DIMENSIONS (Inches)</b>				
Model	HEX. A	DIA. B	DIM. C	DIM. D
PSPC70-10-8X	1.42	1.09	1.80	1.80
PSPC70-14-12X	1.22	1.35	1.91	1.91

<b>Operating Specifications</b>	
Temperature	Pressure
33° - 180° F	200 PSI maximum

<b>MATERIAL SPECIFICATIONS</b>	
<b>Body</b>	Low lead brass
<b>O-ring</b>	EPDM
<b>Backer Ring</b>	Polypropylene
<b>Gripper Ring</b>	Stainless steel
<b>Removal Flange</b>	Polypropylene
<b>Tube Support</b>	POM



\*Please consult with local code for final approval

**Listings & Certifications:**

- IAPMO listed to ASSE1061



*This specification and all information contained herein is the confidential and exclusive property of Brasscraft Manufacturing Company and shall not be disclosed to others without the written consent of Brasscraft Mfg. Co. This specification must be returned to Brasscraft Mfg. Co. if requested.*